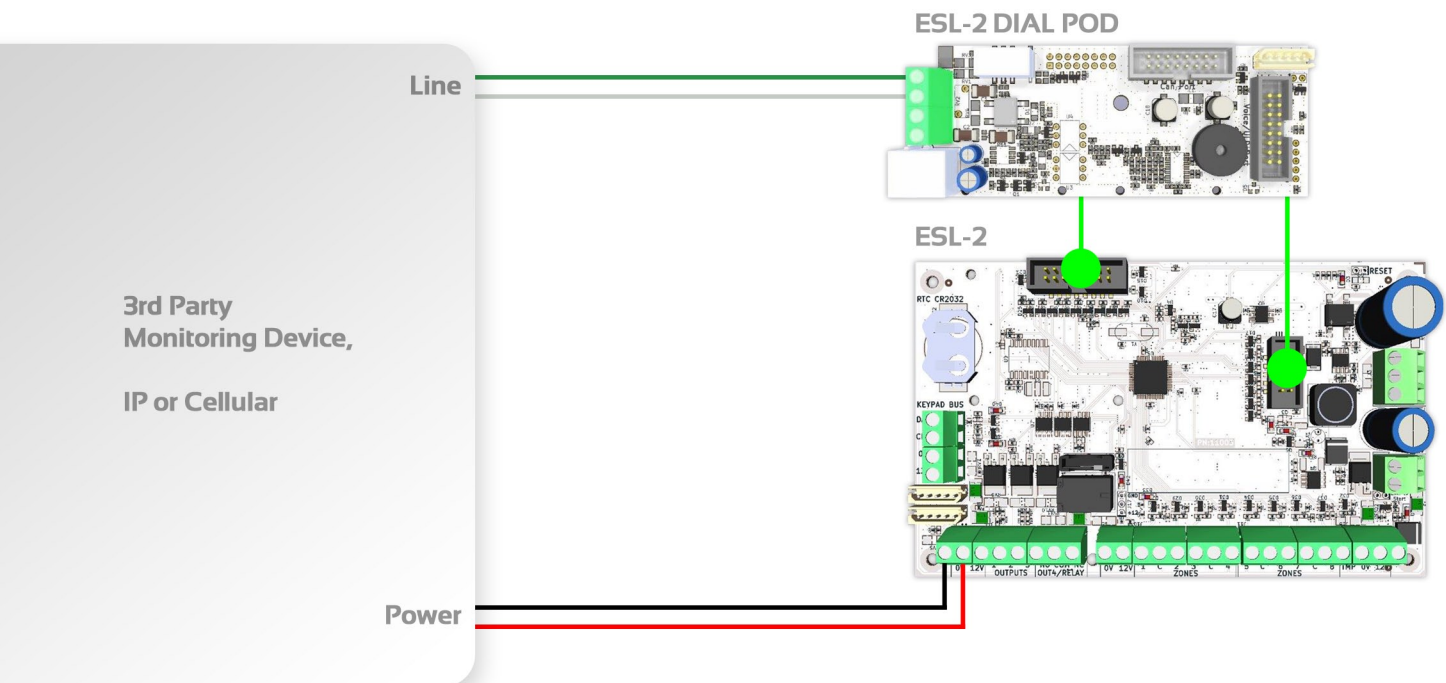


ESL-2 DIAL POD Manual

Third Party Monitoring Device Connection

Make sure the ESL-2 is powered down before completing the following steps

- Plug the ESL-2 DIAL POD into the ESL-2 control panel as detailed below:
- Connect the line in terminals to the line terminals of your 3rd party monitoring device
- Connect the 0V & 12V terminals of the 3rd party device to the 0V & 12V of the ESL-2 control panel
- Power up ESL-2 control panel



ESL-2 Programming For 3rd Party Monitoring Devices

- Enter install mode on the alarm keypad

In these instructions P = Program button & E = Enter button

Enter Install Mode - Icon Keypad (default) = P 000000 E - 'IPGM' should now be displayed

Enter Install Mode - Touch Keypad (default) = 'Settings' 'Advanced Settings' 000000 E, then press 'Quick Address Entry' - A keypad including PROG & ENTER should now be displayed

- P 175 E 1 E 1 E - Turns on dialler (this turns option 1 on at address 175 E 1 E)
- P 181 E 1 E 123456 E - Enters a phone number for the system to dial - It doesn't matter what number, but a number is required for the system to send a signal. In this example we are using 123456
- P 182 E 1 E 1 E - Makes sure the phone number format is set to CID (option 1 at address 182 E 1 E)
- Exit program mode - P E
- Now activate the system and your monitoring device (if programmed correctly) should report as programmed

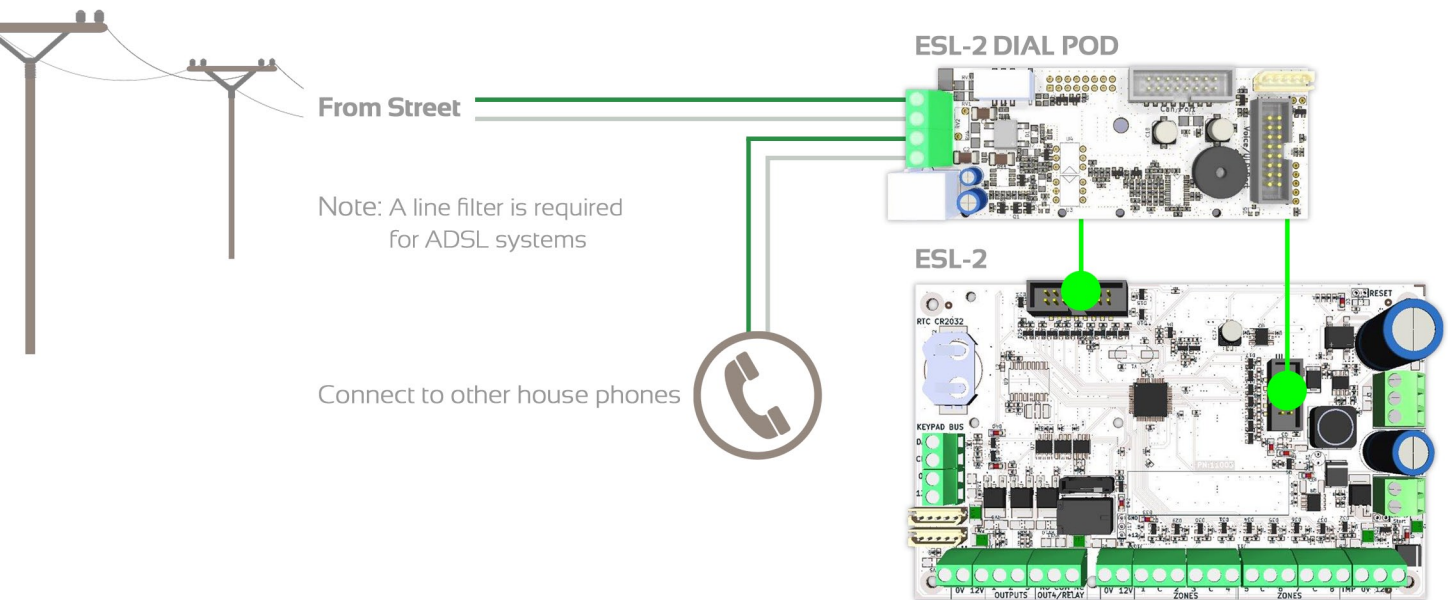
See the full ESL-2 Installation manual should you require any further information

Land Line Monitoring

This function can be used where a land line is still active at the premises. The ESL-2 & ESL-2 DIAL POD system will call up to 8 numbers sequentially and play siren tones to the recipient over the phone line

Make sure the ESL-2 is powered down before completing the following steps

- Plug the ESL-2 DIAL POD into the ESL-2 control panel as detailed below:
- Connect the line in terminals of the ESL-2 DIAL POD to your incoming phone line
- Remember to use a line filter for ADSL applications
- If required, connect the line out of the ESL-2 DIAL POD to the analogue phones in the house as detailed below:
- Power up ESL-2 control panel



ESL-2 Programming For Land Line Monitoring

- Enter install mode on the alarm keypad

In these instructions P = Program button & E = Enter button

Enter Install Mode - Icon Keypad (default) = P 000000 E - 'IPGM' should now be displayed

Enter Install Mode - Touch Keypad (default) = 'Settings' 'Advanced Settings' 000000 E, then press 'Quick Address Entry' - A keypad including PROG & ENTER should now be displayed

- P 175 E 1 E 1 E - Turns on dialler (this turns option 1 on at address 175 E 1 E)

Address 181 is where you enter phone numbers. Land line monitoring phone numbers are pre configured as slots 5 to 8 detailed below:

P 181 E 5 E 021234567 E (phone number 5)

P 181 E 6 E 027987562 E (phone number 6)

P 181 E 7 E 022456876 E (phone number 7)

P 181 E 8 E 021478523 E (phone number 8)

- Exit program mode - P E

See the full ESL-2 Installation manual should you require any further information